

ARMSTRONG BARREL AND BOX COMPANY

Weathered Rust and Realistic Rust. The wood rooftop water tank, crates and barrels were painted with a dark brown wash with black metal banding. The smoke stack was spray painted hammer tone black and rust applied with Dr. Ben's. The Dust Collector was painted with Cobblestone with a black wash applied and rust details using Dr. Ben's. Use Dr. Ben's pigments or weathering chalks to weather the signs and dust the building as desired.

6. The Roofing. Glue the card sub roof pieces in place allowing them to overhang evenly on each side. Cut the corrugated metal roofing material into suitable strips (we used 3 scale feet widths) and glue in place. Use the included aluminum tape cut into strips for the roof flashing along the ridge and any other joints you wish to cover.

7. Roof Top Accessories. Assemble the Wooden Rooftop Water Tank and Industrial Rooftop Dust Collector and paint. Cut the support legs to match the slope of your roof and install.

8. Loading Dock. Using the included lumber. Build the loading dock as shown in drawings. Consider staining the lumber before assembly since the wood will not absorb stain once the CA is applied.

9. Finishing Details. Assemble the Power House smokestack. Drill a hole in the 4 ears cast on the ring using a #58 size drill bit in a pin vice. Hole locations are cast in place for your convenience. Slide this ring down approximately half way onto the smoke stack tubing. Slide the remaining ring onto the top of the tubing. When you are satisfied with the ring locations, glue them in place. Cut the base of the tubing to match the slope of the Power House roof. Then paint and glue in place. Use the included wires to create guy wires to support the smoke stack. Insert one end in the hole you drilled in each of the 4 ears. Bend this wire to a 90 degree angle and attach the bottom end as desired to the roof of the Power House and/or to the side of the Main Building. Drill a hole in the location you would like for the smoke jack using a 3/32" drill bit. Paint and install. Build 2 sets of steps and glue in place. One set is for the entry door on the back wall and the other is for the end of the loading dock. Add signs as desired.

We offer many detail parts to complete your scene such as crates, barrels, 55 gallon steel drums, pallets, trash cans, and electric meter assembly to complete your scene.

All these items are available separately at:

www.frenchmanriver.com

Thank you for purchasing this kit. We hope you enjoy building and displaying this Armstrong Barrel & Box Company as much as we have enjoyed producing it. If you have any questions or comments, please email us at: frenchmanriver@gmail.com or send a letter to the address below.

Made in the USA

Frenchman River Model Works
PO Box 86
Langdon, ND 58249
(701) 256-2129
www.frenchmanriver.com

Frenchman River Model Works reserves the right to change or alter this kit without prior notice. This kit, its contents, and its packaging are all ©copyright protected.

© 2022 James and Anna Cleveland

HO 1:87 SCALE KIT #571



ARMSTRONG BARREL & BOX COMPANY



display built by James and Anna Cleveland
Frenchman River Model Works

At the close of the Civil War, the Armstrong family moved to the picturesque Stinkwater Crik area. Having seen the tremendous need for barrels and boxes of every size they set up a booming factory. The family owned business flourished and grew until the stock market crash in the 20's put the kabash on the industry. Unfortunately, they had over extended their credit and the once prosperous factory fell into disrepair. Armstrong Barrel and Box Company still supplies product to the local businesses, but is a shadow of its former glory.

Cautions

Kit contains small and/or sharp parts
NOT SUITABLE FOR CHILDREN UNDER THE AGE OF 14
Always wear your safety glasses when you are working with CA glues and when cutting, shaping, or snipping parts and when painting.
Also use adequate ventilation when working with glue or paint.

Kit Contents

RESIN PARTS

1	Front Wall
1	Back Wall
3	Side Walls
2	Loading Dock Doors
3	Board & Batten Walls
3	Stone Addition Walls
7	Foundation Pieces
1	Water Tank Kit
1	Dust Collector Kit
6	Boxes (Crates)
6	Barrels
2	Smoke Stack Rings

MISCELLANEOUS PARTS

1	1/8 x 1/8 Lumber	10	Small Windows w/ Glazing*
10	1/32 x 3/32 Lumber	2	Man Doors w/ Glazing*
1	1/16 x 1/16 Lumber	1	Styrene Tube
5	Card Sub Roof	1	laser cut steps (set of 2)
3	Roofing Material		
1	Smoke Jack**		
1	Sign Set		
1	Aluminum Flashing		
1	Wire		
16	Large Windows w/ Glazing*		

* Tichy parts

**Trout Creek Eng.

Kit Notes

This is the second kit in the Stinkwater Crik lineup. It is an original design by James and Anna Cleveland with all original masters hand worked and detailed by James Cleveland.

ARMSTRONG BARREL & BOX COMPANY

Clean up any "flash" on the resin castings. Wash all resin parts in warm soapy water, rinse and dry. Any bubbles in the resin can easily be filled with a drop of CA glue or hobby putty. Allow to dry and sand flush with the part being careful to not sand off any details.

Please read through the instructions and study the plans and photos before starting any assembly. There are many helpful photos on our website listing for this kit.

1. The Main Building. (It is helpful to do the assembly work on a flat surface such as a piece of glass to make sure the bottoms are all even and square.) Begin assembling the walls by gluing the tall side wall to the back of the front wall being careful to allow the corner trim to slightly overlap the tall side wall. Repeat this step with the back wall. Now glue the shorter side walls between the 2 end walls. Glue the 1/8" square wood piece between the peaks of the front and back wall to act as a roof support. (see drawing)

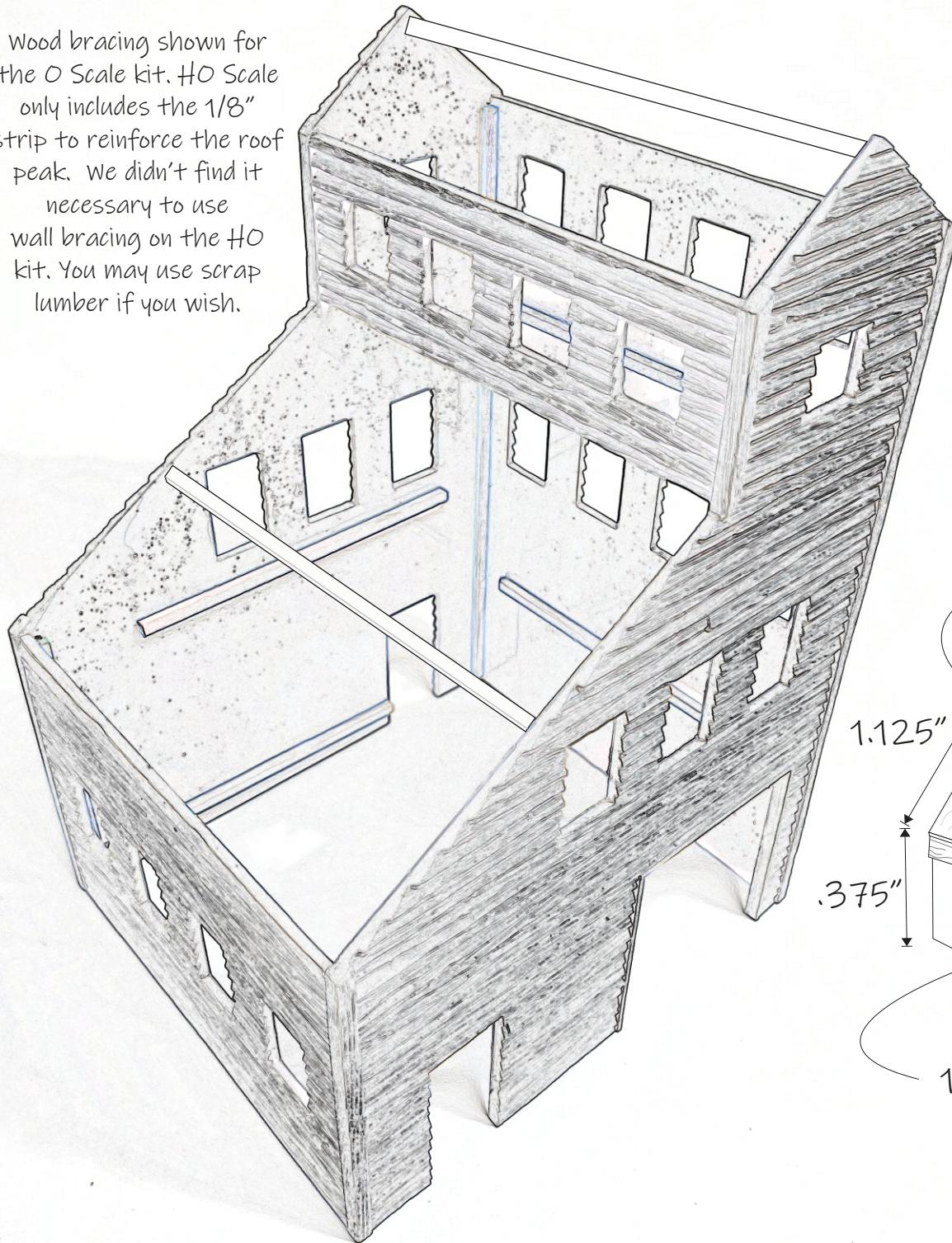
2. The Additions. Assemble the 3 walls for the board and batten addition making sure the bottoms of the walls are flat and square. Repeat for the stone power house addition. The ends of the side wall overlap the 2 end walls.

3. Doors and Windows. Paint the doors and windows and install glazing on the inside. When dry, install windows in each opening on walls and 2 entry doors as well as the loading dock doors. (*you may consider painting the building before installing doors and windows for ease of painting.)

4. The Foundation etc. Assemble the 4 main building foundation pieces making sure that they are flat and square and the end details are showing. Make sure the assembled main building fits squarely on the foundation with a slight overhang on all 4 sides. Make any necessary adjustments at this time. Glue the remaining 3 foundation pieces together paying extra attention to where they fit up against the main building foundation. Test fit the board and batten addition up against the main building on top of its foundation. This may need to be adjusted for a good fit. Use hobby putty or drywall mud to fill in any gaps and shape to match the stone work. We suggest painting the foundation before you glue the building to it. After painting, glue the 2 buildings to the foundation. Glue the power house in place against the back wall of the main building. Again, you can use hobby putty or drywall mud to fill in any gaps between the stone work and the walls or use some of the included self adhesive aluminum tape for flashing to hide any gap.

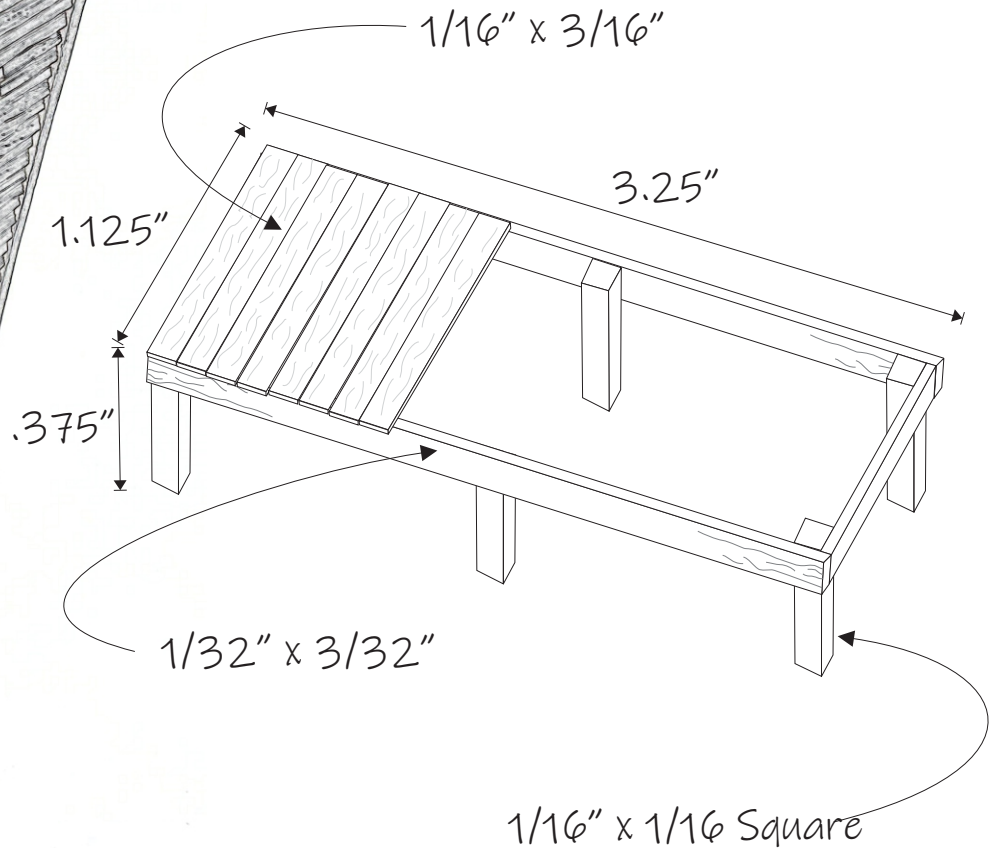
5. Paint. We found this to be an ideal time to paint all 4 assemblies. Of course, you can do this whenever you would like to. Use your favorite method, spray can, air brush or craft paints. We used acrylic hobby paint applied with a brush. For the wood building apply a coat of paint thinned with water (a drop of rubbing alcohol helps to resolve any issues with the paint beading up on the surface) in Traditional Burnt Umber by Americana. This gives an aged patina and settles into the details bringing out character in the castings. After this dries, apply a coat of English Ivy Green by Apple Barrel. Do this in a manner that isn't too thick and allows some of the brown undercoat to show through in an irregular manner. Don't be too concerned about the green being all the same coverage. Some variation lends character to an old building. The doors and window castings were spray painted with Earth Brown Camouflage Spray Paint before glazing was installed. For the Stone Power House and Foundation, apply a coat of Cobblestone by Americana and allow to dry. On your palette, put a drop or two of each of these colors: Burnt Sienna by Apple Barrel, Raw Sienna by Americana, Traditional Burnt Umber by Americana, Medium Gray by Folk Art and Cobblestone. Slightly dip your brush in 2 different colors and mix them on a clean part of the palette. It doesn't matter where you start. Randomly begin painting a single stone here and there on all sides of the structure. When your paint runs out on your brush, simply pick another color or two and mix in the same place to slightly change the color and continue to randomly paint individual stones. Continue until you're happy with the effect. It will look a bit blotchy, but a wash will fix this and tie them all together. Mix a black wash consisting of a small amount of black paint thinned down to look like dirty paint water. If this beads up, put a drop or two of rubbing alcohol in the mix. If you use rubbing alcohol, consider spraying your model with matte acrylic spray first to seal the acrylic paint since the alcohol will soften the paint and remove what you've already done. Once this is dry, apply white using a dry brush method to just barely catch the details. This will make everything really pop and come alive. The roofing was treated with Dr. Ben's Weathering Stains in

Wood bracing shown for the O Scale kit. HO Scale only includes the 1/8" strip to reinforce the roof peak. We didn't find it necessary to use wall bracing on the HO kit. You may use scrap lumber if you wish.



**Frenchman River
Model Works**
KIT #571
HO 1:87 SCALE
**ARMSTRONG
BARREL & BOX CO.**
WWW.FRENCHMANRIVER.COM

Loading Dock





**HO 1:87 SCALE
INDUSTRIAL ROOFTOP DUST COLLECTOR
KIT #2081**

Kit Contents



- | | | | |
|---|-------------------|---|-------------------|
| 1 | Main Body | 1 | Connector |
| 1 | Top | 1 | 1/8" Styrene Tube |
| 1 | Platform
Piece | 1 | Styrene Angle |



Cautions

Kit contains small and/or sharp parts

NOT SUITABLE FOR CHILDREN UNDER THE AGE OF 14!

Always wear your safety glasses when you are working with CA glues and when cutting, shaping, or snipping parts and when painting.

Also use adequate ventilation when working with glue or paint.

Scrub. Wash all parts thoroughly before assembling or painting. The parts may have mold release on them from the casting process preventing the paint from adhering. Scrub all cast plastic parts with dish soap (Dawn brand is best) and/or an abrasive cleanser such as Comet and hot (tap) water. Use an old toothbrush to get into all the details on the parts, rinse and let dry.

Assembly. Begin assembly by gluing the top to the main body casting. Glue the platform with the expanded metal side up against the bottom rivet strip of the main body. Glue the tubing adapter scoop just below the upper rivet strip making sure that it is pointed wherever you are going to connect the tubing. Cut the styrene angle so that you have (4) 1" pieces. Glue these into the 4 notches on the underside of the platform. Determine where you are going to use this dust collection system and cut the legs to match the slope of your roof as needed. Install the pieces of tubing: 1 to the bottom and 1 off of the side scoop. Cut as needed for your project. Paint and weather and glue in place.



Frenchman River Model Works

HO 1:87 SCALE WOODEN ROOF TOP WATER TANK KIT #1821

Kit Contents



- 1 Wooden Tank Body
- 1 Roof
- 1 Base
- 2 Leg Assemblies
- 2 Cross Braces



Cautions

Kit contains small and/or sharp parts
NOT SUITABLE FOR CHILDREN UNDER THE AGE OF 14!
Always wear your safety glasses when you are working with CA glues and when cutting, shaping, or snipping parts and when painting.
Also use adequate ventilation when working with glue or paint.

Scrub

- Wash all parts thoroughly before assembling or painting. The parts may have mold release on them from the casting process preventing the paint from adhering. Scrub all cast plastic parts with dish soap (Dawn brand is best) and/or an abrasive cleanser such as Comet and hot (tap) water. Use an old toothbrush to get into all the details on the parts, rinse and let dry.

Assembly

- You can choose to paint the parts before or after assembly.
- The leg assemblies are made so that you may cut them to match any angled roof. It is easier to cut the legs before assembly.
- To assemble the base, glue the 2 leg assemblies to the underside of the tank base. Each leg assembly gets glued to the side of one of the beams. Be sure that they are centered.
- Insert the cross braces between the leg assemblies as desired and glue in place.
- Glue the tank body on top of the indexing ring on the assembled base being sure to place it with the closely spaced bands down.
- Glue the roof casting to the top of the tank body.
- Weather and seal your new water tank according to your preference

